



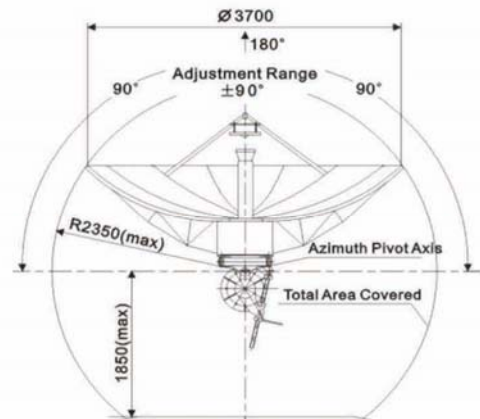
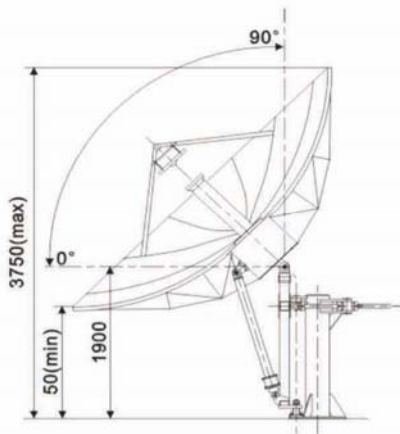
3.7Meter Earth Station Antenna

Antenna Accessory

- Motorization Kits
- 50 Satellite Positions Preset
- Limit Switches
- Steptrack
- ODU Support Kits
- Factory Feed System Testing and Documentation
- Ocean Transport Packing
- Foundation Kit
- Lightning Rod Kit
- Grounding Kit
- Cable-Mounting Kit
- Major Subsystem Spare Part Kits
- Anti-icing and Deicing

Features

- Meets or Exceeds CCIR 580 and INTELSAT Requirements
- Ring Focus
- High G/T, Excellent Pattern Characteristics
- Hot-dipped Galvanized Steel Ground Mount Assembly
- C-band Antenna Operating in 800MHz Bandwidth
- 2-port, 3-port or 4-port Linear/Circular Feed
- Field Changeable Feed System, Switchable Circular to Linear C-band
- High Wind (290km/h)



ELECTRICAL SPECIFICATION

	C-Band		Ku-Band	
	Receive	Transmit	Receive	Transmit
Operating Frequency, GHz	3.4~4.2	5.85~6.725	10.95~12.75	13.75~14.5
Gain, Mid-band, dBi	42.2	45.4	51.4	52.7
Polarization	Linear/ Circular		Linear	
XPD (on Axis), dB	35	35	35	35
XPD (across 1dB Beamwidth), dB	33	33	33	33
Axial Ratio (Circular-Polarized)				
2-Port Feed	1.30	1.09		
4-Port Feed	1.06	1.06		
VSWR	1.25	1.25	1.25	1.25
Antenna Noise Temperature, 2-port Feed				
10° Elevation	35°K		49°K	
30° Elevation	29°K		39°K	
50° Elevation	25°K		35°K	
-3dB Beamwidth, Mid-band	1.25°	0.82°	0.44°	0.38°
Typical G/T (EI>10°)	24dB/K (30° LNA)		30.6dB/K (70° LNA)	
Tx. Power Capability, KW		5		2
Feed Interface	CPR-229G	CPR-137G	WR-75	WR-75
Isolation, Tx to Rx, dB	90		85	
First Sidelobe	-14		-14	
90% Peaks under Following Envelop	29-25log θ (1° $\leq\theta$ <20°)		29-25log θ (1° $\leq\theta$ <20°)	

MECHANICAL SPECIFICATION

Antenna Diameter	3.7m
Antenna Type	Ring Focus
Mount Type	El. over Az.
Surface Accuracy (RMS)	$\leq 0.5\text{mm}$
Antenna Pointing Range	
Azimuth	$\pm 90^\circ, \pm 60^\circ$ (Continuous)
Elevation	0°~90° (Continuous)
Polarization	180° (Continuous)
Drive Mode	Manual or Motorized
Motor Drive System	
Azimuth Travel Rate	0.30°/S (0.06°/S)
Elevation Travel Rate	0.20°/S (0.04°/S)
Polarization	1°/S

ENVIRONMENTAL SPECIFICATION

Operational Wind	72km/h Gusting to 97km/h
Survival Wind	216km/h
Temperature	-40°C~+60°C
Relative Humidity	100%
Solar Radiation	1135Kcal/h/m ²
Seismic (Survival)	0.3g (H), 0.15g (V)
Ice Loading	13mm Operational; 25mm Survival